

Fuse Inserter/Extractor with Cover Function for 10.3x38 mm Fuses in Clips, Patent Pending



ESO Fuse Inserter/Extractor (part of the delivery)

Order required accessories separately



Description

- Fuse inserter, extractor and cover in one component
- Patented, compact and cost-effective design
- Terminal marking optional possible
- Touch-safe according to IP20
- Captive fuse
- Designed for use with CSO clips only

Standards

- UL 4248-1
- CSA C22.2 no. 39

Approvals

- Approval Reference Type: ESO
- UL File Number: E39328

Applications

- All photovoltaic applications
- Inverters
- Battery charge controllers
- String fuses
- DC applications

References

Mating cover to [ASO 10.3x38](#); [CSO](#)

Weblinks

[pdf datasheet](#), [html-datasheet](#), [General Product Information](#), [Packaging details](#), [Approvals](#), [CE declaration of conformity](#), [RoHS](#), [CHINA-RoHS](#), [REACH](#), [Distributor-Stock-Check](#), [Accessories](#), [Detailed request for product](#), [Microsite](#), [Video](#)

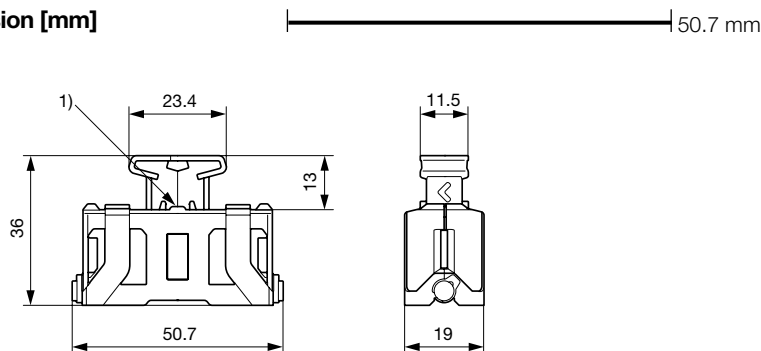
Technical Data

Fuse-Link	10.3 x 38 mm
Mounting	Plug-in assembly
Degree of Protection	IP 20
Admissible Ambient Air Temp.	-40 °C to 85 °C
Climatic Category	40/085/21 acc. to IEC 60068-1
Material	Thermoplastic black UL 94V-0
Unit Weight	9.2 g
Storage Conditions	0 °C to 60 °C, max. 70% r.h.
Product Marking	Type, Safety Note

Contact Resistance	< 5 mΩ at 20 mV
--------------------	-----------------

Detailed information on product approvals, code requirements, usage instructions and detailed test conditions can be looked up in [General Product Information](#)

Dimension [mm]



¹⁾ Position for optional terminal marking
(terminal block width: 5.2 mm, lettering field: 4.6x5.1 mm,
e.g. item 0818153 from Phoenix Contact)

All Variants

Type	Packaging	Order Number
ESO 10.3x38	Bulk (50 pcs.)	0853.1250
ESO 10.3x38	Bulk (500 pcs.)	0853.1251

Availability for all products can be searched real-time:<http://www.schurter.com/en/Stock-Check/Stock-Check-SCHURTER>

Required Accessory

Description



CSO
Heavy Duty Fuse Clip, 10.3 x 38 /10.3 x 85 mm, 1500 VAC/VDC, 32 A