

1 Products affected

Product hierarchy no. *				Part no.	SBU	Type / Description	Customer part no.
SBU	PG	PGU	Type				
01	001	025	0000000221	3413.0008.11	Protection	USFF 1206 – 0.16 A – 100 pieces	
01	001	025	0000000221	3413.0008.22	Protection	USFF 1206 – 0.16 A – 1'000 pieces	
01	001	025	0000000221	3413.0008.24	Protection	USFF 1206 – 0.16 A – 5'000 pieces	
01	001	025	0000000221	3413.0008.26	Protection	USFF 1206 – 0.16 A – 10'000 pieces	
01	001	025	0000000221	3413.0009.11	Protection	USFF 1206 – 0.20 A – 100 pieces	
01	001	025	0000000221	3413.0009.22	Protection	USFF 1206 – 0.20 A – 1'000 pieces	
01	001	025	0000000221	3413.0009.24	Protection	USFF 1206 – 0.20 A – 5'000 pieces	
01	001	025	0000000221	3413.0009.26	Protection	USFF 1206 – 0.20 A – 10'000 pieces	
01	001	025	0000000221	3413.0010.11	Protection	USFF 1206 – 0.25 A – 100 pieces	
01	001	025	0000000221	3413.0010.22	Protection	USFF 1206 – 0.25 A – 1'000 pieces	
01	001	025	0000000221	3413.0010.24	Protection	USFF 1206 – 0.25 A – 5'000 pieces	
01	001	025	0000000221	3413.0010.26	Protection	USFF 1206 – 0.25 A – 10'000 pieces	

*SBU (2-digit) / PG (3-digit) / PGU (3-digit) / Type (10-digit)

2 Type of changes

2.1 Marking

- ∅ New label with only one letter instead of a three-digit numeric coding.

2.2 Reel Diameter

- ∅ Changing the diameter of the blister tape reel. The new blister reel with the number 3413.00XX.24 has Ø25.4 cm.

2.3 Packaging unit



- ∅ The blister tape reel with the number 3413.00XX.26 has new 10'000 pieces.

USFF 1206					0118.2121	
creation date	created by	release date	released by	notification no.	revision	page
2012-08-24	tel	2012-09-20	tel	23848		1 of 4

3 Detailed description of changes

3.1 Marking

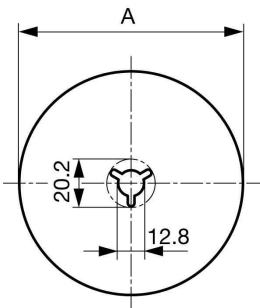
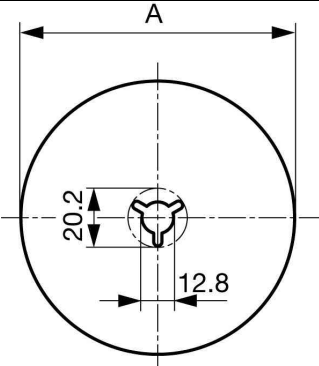
3.1.1 Graphic

old marking	new marking
	
Example: USFF 1206 with large letter "0.16" = 0.160 A	Example: USFF 1206 with small letter "s" = 0.160 A

3.1.2 Overview of the new marking

In [A]	old marking	new marking
0.050	0.05	e
0.160	0.16	s
0.200	C	u
0.250	D	w

3.2 Reel Diameter

old	new
	
3413.00XX.24 = A = Ø18 cm (5'000 pieces)	3413.00XX.24 = A = Ø25.4 cm (5'000 pieces)

USFF 1206					0118.2121	
creation date	created by	release date	released by	notification no.	revision	page
2012-08-24	tel	2012-09-20	tel	23848		2 of 4

3.3 Packaging unit

old	new
3413.00XX.26 à 15'000 pieces – Ø33 cm	3413.00XX.26 à 10'000 pieces – Ø33 cm

4 Reason of changes

4.1 Marking

∅ There is not enough space for more than one character on the surface.

4.2 Reel Diameter

∅ The diameter of 18 cm was too small for 5'000 pieces.

4.3 Packaging unit

∅ A 15'000 pieces was too much fuses for the reel diameter 33 cm.

5 Released dates

5.1 Marking

∅ As of November 2012

5.2 Reel Diameter

∅ As of October 2012

5.3 Packaging unit

∅ As of October 2012

USFF 1206					0118.2121	
creation date	created by	release date	released by	notification no.	revision	page
2012-08-24	tel	2012-09-20	tel	23848	—	3 of 4

6 Impact of change and recommended action

6.1 Marking

Form: No
Fit: No
Function: No
Production Site: No
Product Label: Yes

6.2 Reel Diameter

Form: Packaging size
Fit: No
Function: No
Production Site: No
Product Label: No

6.3 Packaging unit

Form: Packaging unit
Fit: No
Function: No
Production Site: No
Product Label: No

7 Reference Documents / Attachments

Kind of document	Document number	Remarks
Blister reel drawing	0950.0581	for Ø 254 mm

USFF 1206					0118.2121	
creation date	created by	release date	released by	notification no.	revision	page
2012-08-24	tel	2012-09-20	tel	23848	-	4 of 4