

Clip, 6.3 x 32 mm



250 VAC



Description

- Through hole mounting

References

We recommend for new applications the type CQP; OG (Clip) 5x20 / 6.3x32
Last order date: 31.12.2014

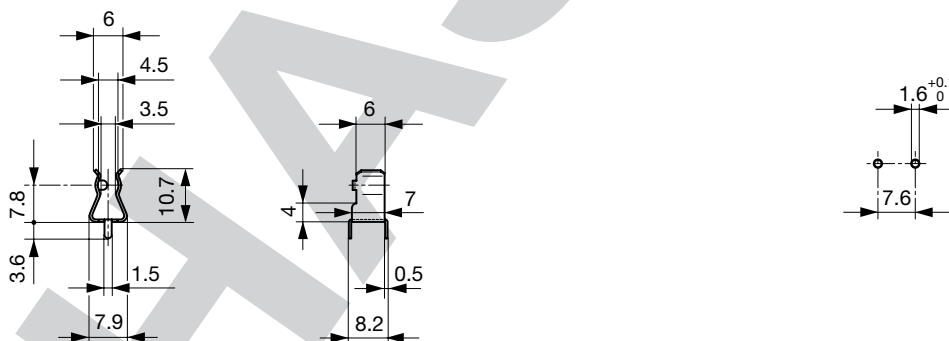
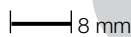
Weblinks

pdf-datasheet, html-datasheet, General Product Information, Approvals, CE declaration of conformity, RoHS, CHINA-RoHS, REACH, e-Shop, SCHURTER-Stock-Check, Distributor-Stock-Check, Detailed request for product

Technical Data

Fuse-Link	6.3 x 32mm	Soldering Methods	Wave Soldering Profile
Mounting	PCB	Solderability	235 °C / 2 sec acc. to IEC 60068-2-20, Test Ta, method 1
Terminal	Solder THT	Resistance to Soldering Heat	260 °C / 10sec acc. to IEC 60068-2-20, Test Tb, method 1A
Rated Voltage	250 VAC	Contact Resistance	< mΩ at 20 mV
Rated current	10A		
Degree of Protection	IP 00		
Material: Terminals	see variants		
Unit Weight	0.9 g		
Storage Conditions	0 °C to 60 °C, max. 70% r.h.		
Product Marking	none		

Dimension



Drilling diagram

All Variants

Clip	Terminal	Material: Terminals	Order Number
●	straight	Tin-Plated Bronze	7181.5003

Availability for all products can be searched real-time: <http://www.schurter.com/Stock-Check/Stock-Check-SCHURTER>

Packaging Unit Bulk (100 pcs.)