

Power Supply Cord with NEMA 1-15 Power (Mains) Plug 2-pole, Straight



North America



NEMA 1-15

**Description**

Power Supply Cord,
- Protection class II, Pin temperature 70 °C, Cable

Approvals

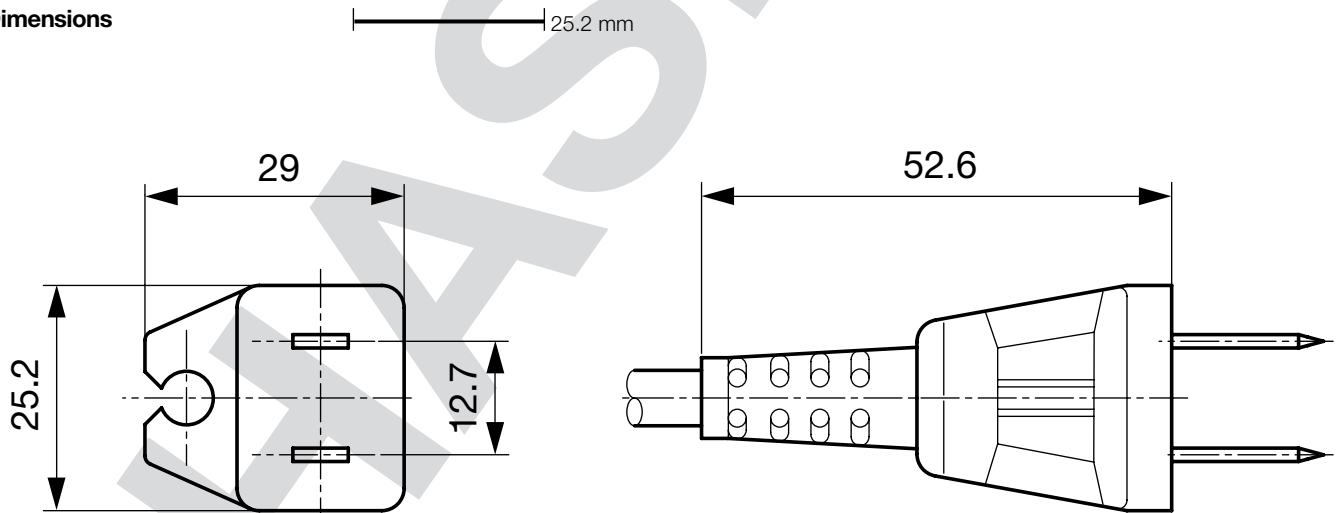
- UL File Number: E45116
- CSA File Number: 32338

Weblinks

[pdf](#), [html](#), [General Product Information](#), [Approvals](#), [RoHS](#), [CHINA-RoHS](#), [Mating Connectors](#), [e-Shop](#), [SCHURTER-Stock-Check](#), [Distributor-Stock-Check](#), [Accessories](#), [Detailed request for product](#)

Technical Data

Ratings IEC	10A / 250VAC; 50Hz
Ratings UL/CSA	10A / 250VAC; 60Hz
Dielectric Strength	> 2 kVDC between L-N > 2 kVAC between L/N-PE (1 min/50Hz)
Allowable Operation Temp.	-25 °C to 70 °C
Degree of Protection	from front side IP 20 acc. to IEC 60529
Protection Class	Suitable for appliances with protection class 2 acc. to IEC 61140
Terminal	moulded
Material: Housing	PVC, black or grey

Dimensions

Config. Code

419c - R - Type - D - Length

The characters are placeholders for the correspondingly keys of selections from the key tables.
Typ steht für die Dose bzw. 2. Seite, Länge ist die Leitungslänge in mm.

419c - R - Type - D - Length = cord type

cord type	Configuration key
SVT 2x18AWG	M
special cord	Z

Cord definition is detailed in general product information XXX

419c - R - Type - D - Length = Cord end 2

Cord end 2
zzzz, 3016, 3113, 3127, 3130, 9011

419c - R - Type - D - Length = Color

Color	Configuration key
Black	A
Grey	B

419c - R - Type - D - Length = Cord length

Cord length
zzzz, 000500, 001000, 001500, 002000, 002500, 003000, 005000

Cord length in mm